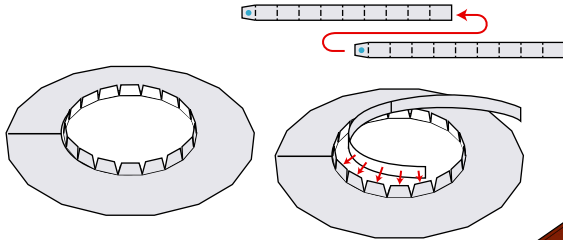


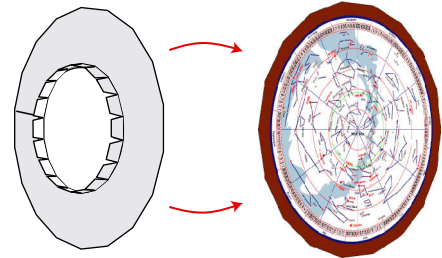
CREATIVE PARK

<http://www.canon.com/c-park/en/>

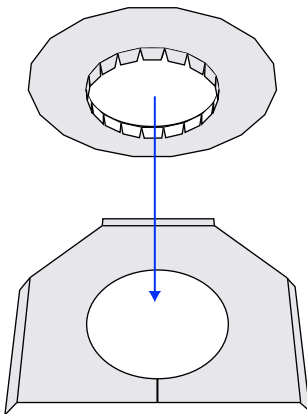
1. Use a valley fold to raise the tabs on the backing for the planisphere wheel.
Glue the rotational axle riser to the inside surface of the tabs to fix it in place.



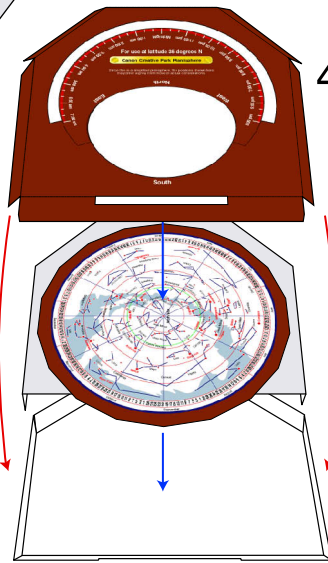
2. Glue the backing to the reverse side of the planisphere wheel.



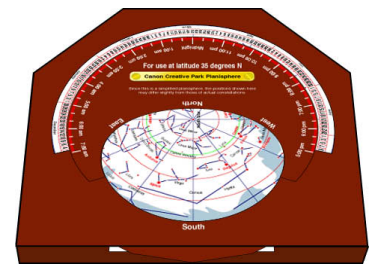
3. Insert the planisphere wheel into the planisphere rotation bearing.



4. Assemble the rear side of the housing and attach the top and sides of the housing after inserting the planisphere wheel.



5. Finished!



Before starting assembly: Writing the name of each section on its back side before cutting out the sections is highly recommended.
(* This way, you can be sure which section is which even after cutting out the sections.)

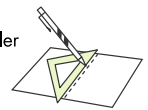
→ Indicates where sections should be glued together.

→ Indicates where to insert sections. Do not glue the sections together.

Assembly Instructions : One A4 sheet (No. 1)

* Build the model by carefully reading the Assembly Instructions , in the parts sheet page order.

*Hint: Trace along the folds with a ruler and an exhausted pen (no ink) to get a sharper, easier fold.



Assembly Instructions

Mountain fold (dotted line)
Make a mountain fold.

Valley fold (dashed and dotted line)
Make a valley fold.

Scissors line (solid line)
Cut along the line.

Cut in line (solid line)
Cut along the line.

Glue
The glue spot (colored dot) shows where to apply the glue.

● Glue spot (Red dot)
Glue parts with the same number together.

● Glue spot (Green dot)
Glue within the same part.

● Glue spot (Blue dot)
Glue to the rear of the other part.

Tools and materials

Scissors, set square, glue (We recommend stick glue), pencil, used ballpoint pen, toothpicks, tweezers, (useful for handling small parts)

Assembly tip

Before gluing, crease the paper along mountain fold and valley fold lines and make sure rounded sections are nice and stiff.

Caution

Glue, scissors and other tools may be dangerous to young children so be sure to keep them out of the reach of young children.